



# **Eyeball Network Camera**

## **Quick Start Guide**






# Foreword

## General

This manual introduces the functions and operations of the camera.

## Safety Instructions

The following categorized signal words with defined meaning might appear in the manual.

Signal Words	Meaning
 <b>WARNING</b>	Indicates a medium or low potential hazard which, if not avoided, could result in slight or moderate injury.
 <b>CAUTION</b>	Indicates a potential risk which, if not avoided, could result in property damage, data loss, lower performance, or unpredictable result.
 <b>NOTE</b>	Provides additional information as the emphasis and supplement to the text.

## Revision History

Version	Revision Content	Release Date
V1.0.3	Updated "Important Safeguards and Warnings."	April 2021
V1.0.2	Add power rating in the description of Power output in "Table 1-1 Cable information."	July 2019
V1.0.1	Modify "3.1 Packing List."	March 2019
V1.0.0	First release.	May 2018

## About the Manual

- The manual is for reference only. If there is inconsistency between the manual and the actual product, the actual product shall prevail.
- We are not liable for any loss caused by the operations that do not comply with the manual.
- The manual would be updated according to the latest laws and regulations of related regions. For detailed information, see the paper manual, CD-ROM, QR code or our official website. If there is inconsistency between paper manual and the electronic version, the electronic version shall prevail.
- All the designs and software are subject to change without prior written notice. The product updates might cause some differences between the actual product and the manual. Please contact the customer service for the latest program and supplementary documentation.
- There still might be deviation in technical data, functions and operations description, or errors in print. If there is any doubt or dispute, please refer to our final explanation.

- Upgrade the reader software or try other mainstream reader software if the manual (in PDF format) cannot be opened.
- All trademarks, registered trademarks and the company names in the manual are the properties of their respective owners.
- Please visit our website, contact the supplier or customer service if there is any problem occurred when using the device.
- If there is any uncertainty or controversy, please refer to our final explanation.

# Important Safeguards and Warnings

## Electrical Safety

- All installation and operation should conform to your local electrical safety codes.
- The power source shall conform to the Safety Extra Low Voltage (SELV) standard, and supply power with rated voltage which conforms to Limited Power Source requirement according to IEC60950-1. Please note that the power supply requirement is subject to the device label.
- Make sure the power supply is correct before operating the device.
- A readily accessible disconnect device shall be incorporated in the building installation wiring.
- Prevent the power cable from being trampled or pressed, especially the plug, power socket and the junction extruded from the device.

## Environment

- Do not aim the device at strong light to focus, such as lamp light and sun light; otherwise it might cause over brightness or light marks, which are not the device malfunction, and affect the longevity of Complementary Metal-Oxide Semiconductor (CMOS).
- Do not place the device in a damp or dusty environment, extremely hot or cold temperatures, or the locations with strong electromagnetic radiation or unstable lighting.
- Keep the device away from any liquid to avoid damage to the internal components.
- Keep the indoor device away from rain or damp to avoid fire or lightning.
- Keep sound ventilation to avoid heat accumulation.
- Transport, use and store the device within the range of allowed humidity and temperature.
- Heavy stress, violent vibration or water splash are not allowed during transportation, storage and installation.
- Pack the device with standard factory packaging or the equivalent material when transporting the device.
- Install the device in the location where only the professional staff with relevant knowledge of safety guards and warnings can access. The accidental injury might happen to the non-professionals who enter the installation area when the device is operating normally.

## Operation and Daily Maintenance

- Do not touch the heat dissipation component of the device to avoid scald.
- Carefully follow the instructions in the manual when performing any disassembly operation about the device; otherwise, it might cause water leakage or poor image quality due to unprofessional disassembly. Please make sure that the gasket ring is flat and properly installed in the groove before installing the cover. Please contact after-sale service for desiccant replacement if there is condensed fog on the lens after unpacking or when the desiccant turns green (Not all models are included with the desiccant).
- It is recommended to use the device together with lightning arrester to improve lightning protection effect.

- It is recommended to ground the device to enhance reliability.
- Do not touch the image sensor (CMOS) directly. Dust and dirt could be removed with air blower, or you can wipe the lens gently with soft cloth that moistened with alcohol.
- Device body can be cleaned with soft dry cloth, which can also be used to remove stubborn stains when moistened with mild detergent. To avoid possible damage on device body coating which could cause performance decrease, do not use volatile solvent such as alcohol, benzene, diluent and so on to clean the device body, nor can strong, abrasive detergent be used.
- Dome cover is an optical component, do not touch or wipe the cover with your hands directly during installation or operation. For removing dust, grease or fingerprints, wipe gently with moisten oil-free cotton with diethyl or moisten soft cloth. You can also air blower to remove dust.

**WARNING**

- Please strengthen the protection of network, device data and personal information by adopting measures which include but not limited to using strong password, modifying password regularly, upgrading firmware to the latest version, and isolating computer network. For some device with old firmware versions, the ONVIF password will not be modified automatically along with the modification of the system password, and you need to upgrade the firmware or manually update the ONVIF password.
- Use standard components or accessories provided by manufacturer and make sure the device is installed and maintained by professional engineers.
- The surface of the image sensor should not be exposed to laser beam radiation in an environment where a laser beam device is used.
- Do not provide two or more power supply sources for the device unless otherwise specified. A failure to follow this instruction might cause damage to the device.

# Table of Contents

<b>Foreword</b> .....	<b>I</b>
<b>Important Safeguards and Warnings</b> .....	<b>III</b>
<b>1 Introduction</b> .....	<b>1</b>
1.1 Cable .....	1
1.2 Connecting Alarm Input/Output .....	2
<b>2 Network Configuration</b> .....	<b>4</b>
2.1 Initializing Device.....	4
2.2 Modifying Device IP Address.....	5
2.3 Logging in to Web Interface.....	6
<b>3 Installation</b> .....	<b>7</b>
3.1 Packing List.....	7
3.2 Dimensions.....	7
3.3 Installing Device .....	8
3.3.1 Installation Method.....	8
3.3.2 Installing SD Card (Optional) .....	8
3.3.3 Attaching Device.....	9
3.3.4 Installing Waterproof Connector (Optional) .....	11
3.3.5 Adjusting Sunshade Cap.....	12
3.3.6 Adjusting Lens Angle .....	13

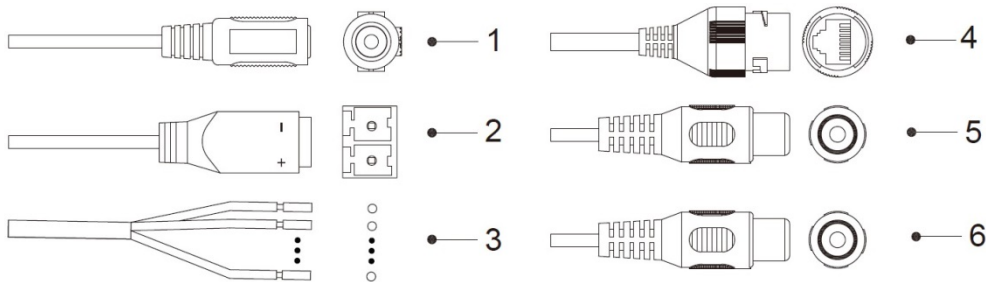
# 1 Introduction

## 1.1 Cable



- Cable type might vary with different devices, and the actual product shall prevail.
- Waterproof all the cable joints with insulating tape and waterproof tape to avoid short circuit and water damage. For the detailed operation, see the *FAQ Manual*.

Figure 1-1 Cable list




For more information about cable ports, see Table 1-1 and Table 1-2.

Table 1-1 Cable information

No.	Port Name	Description
1	12V DC power input	Inputs 12V DC power. Please be sure to supply power as instructed in the manual. Device abnormality or damage could occur if power is not supplied correctly.
2	Power output	Supplies 12V DC 2W power for external devices.
3	Alarm I/O	Includes alarm signal input and output ports. See Table 1-2.
4	Ethernet port	<ul style="list-style-type: none"> <li>• Connects to network with network cable.</li> <li>• Provides power to the device with PoE.</li> </ul> PoE is available on select models.
5	Audio input	Connects to sound-pick-up device to receive audio signal.
6	Audio output	Connects to speaker to output audio signal.

Table 1-2 Alarm information

Port	Port Name	Description
Alarm I/O	ALARM_OUT	Outputs alarm signal to alarm device. 
	ALARM_OUT_GND	When connecting to alarm device, only the ALARM_OUT port and ALARM_OUT_GND port with the same number can be used together.
	ALARM_IN	Receives the switch signal of external alarm source.

Port	Port Name	Description
	ALARM_IN_GND	 Connect different alarm input devices to the same ALARM_IN_GND port.

## 1.2 Connecting Alarm Input/Output



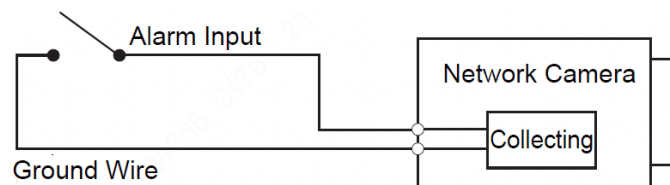
Alarm input/output is available on select models.

**Step 1** Connect alarm input device to the alarm input end of the I/O port. See Figure 1-2.

Device collects different states of alarm input port when the input signal is idling and grounded.

- Device collects logic "1" when input signal is connecting to +3V to +5V or idling.
- Device collects logic "0" when input signal is grounded.

Figure 1-2 Alarm input



**Step 2** Connect alarm output device to the alarm output end of the I/O port. The alarm output is open-drain output, which works in the following modes.

- Mode A: Level application. Alarm outputs high and low level, and the alarm outlet is OD, which requires external pull-up resistance (10K Ohm typical) to work. The maximum external pull-up level is 12V, maximum port current is 300mA and the default output signal is high level (external pull-up voltage). The default output signal switches to low level when there is alarm output (As long as the operating current below 300mA, the output low level voltage is lower than 0.8V).
- Mode B: Switch application. Alarm output is used to drive external circuit, the maximum voltage is 12V and the maximum current is 300mA. If the voltage is higher than 12V, please use an additional electric relay.

Figure 1-3 Mode A

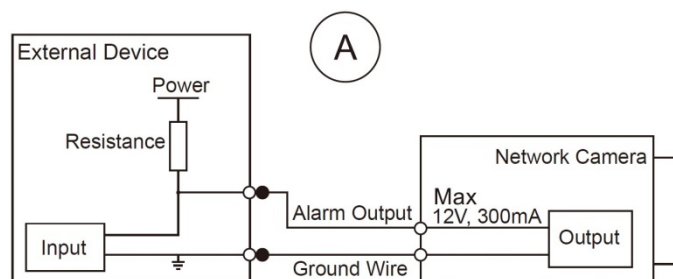
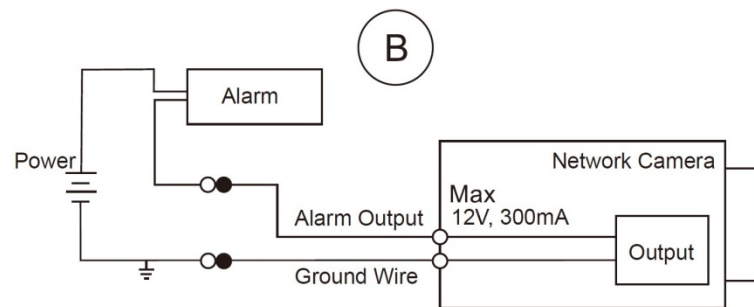




Figure 1-4 Mode B



**Step 3** Log in to web interface, and configure alarm input and alarm output in alarm setting.

- The alarm input on the web interface is corresponding to the alarm input end of the I/O port. There will be high level and low level alarm signal generated by the alarm input device when alarm occurs, set the input mode to "NO" (default) if the alarm input signal is logic "0" and to "NC" if the alarm input signal is logic "1."
- The alarm output on the web interface is corresponding to the alarm output end of the device, which is also alarm output end of the I/O port.

## 2 Network Configuration

Device initialization and IP setting can be finished with the "ConfigTool" or in web interface. For more information, see the *WEB Operation Manual*.



- Device initialization is available on select models, and it is required at first use and after device is being reset.
- Device initialization is available only when the IP addresses of the device (192.168.1.108 by default) and the PC stays in the same network segment.
- Plan useable network segment properly to connect the device to the network.
- The following figures and interfaces are for reference only, and the actual product shall prevail.

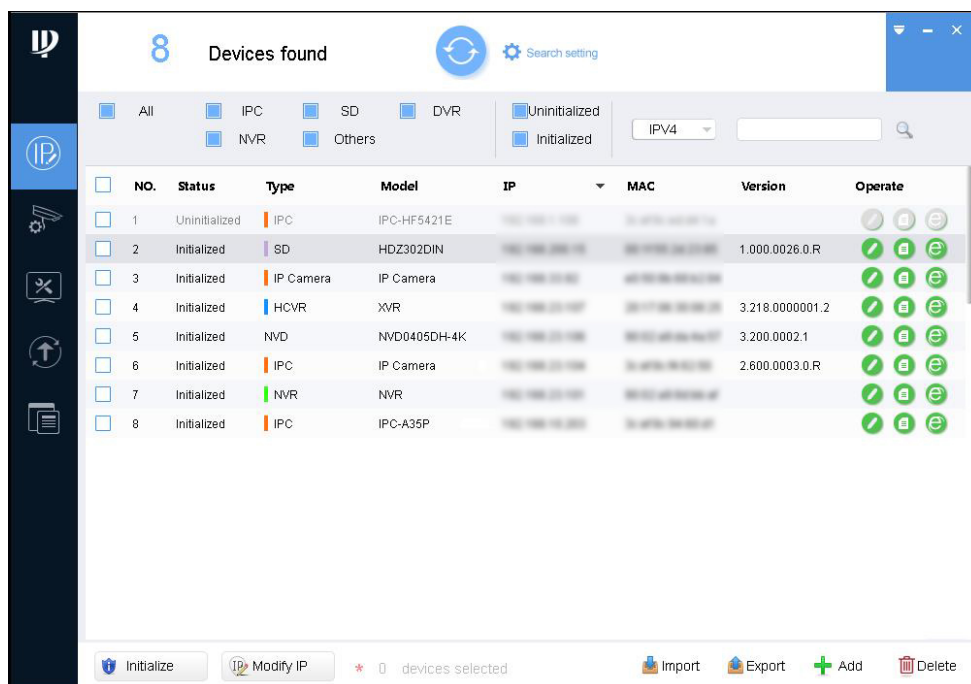
### 2.1 Initializing Device

**Step 1** Double-click "ConfigTool.exe" to open the tool.

**Step 2** Click .

The **Modify IP** interface is displayed. See Figure 2-1.

Figure 2-1 Modify IP interface



**Step 3** Click **Search setting**.

The **Setting** interface is displayed.

**Step 4** Enter the start IP and end IP of the network segment in which you want to search devices, and then click **OK**.

All the devices found in the network segment are listed.

**Step 5** Select one or several devices whose **Status** is **Uninitialized**, and then click **Initialize**.

The **Device initialization** interface is displayed.

- Step 6** Select the devices that need initialization, and then click **Initialize**.  
The password setting interface is displayed. See Figure 2-2.

Figure 2-2 Password setting interface

- Step 7** Set and confirm the password of the devices, and then enter a valid email address. Click **Next**.  
The final setting interface is displayed.



Password can be modified or reset in **System Settings**.

- Step 8** Select the options according to your needs and then click **OK**.  
The **Initialization** interface is displayed after initializing is completed. Click the success icon (✓) or the failure icon (⚠) for the details.

- Step 9** Click **Finish**.  
The device status in the **Modify IP** interface (Figure 2-1) turns to **Initialized**.

## 2.2 Modifying Device IP Address



- You can modify IP address of one or multiple devices in one time. This section is based on modifying IP addresses in batch.
- Modifying IP addresses in batch is available only when the corresponding devices have the same login password.

- Step 1** Do Step 1 to Step 4 in "2.1 Initializing Device" to search devices in your network segment.

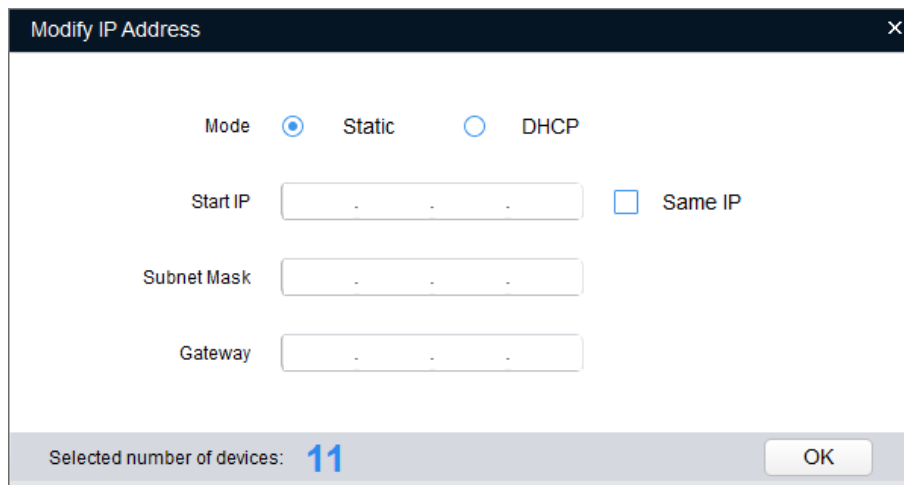


After clicking **Search setting**, either the **username** and **password**, and make sure they are the same as what you set during initialization, otherwise there will be wrong password notice.

- Step 2** Select the devices whose IP addresses need to be modified, and then click **Modify IP**.

The **Modify IP Address** interface is displayed. See Figure 2-3.

Figure 2-3 Modify IP address interface



**Step 3** Select **Static** mode and enter start IP, subnet mask and gateway.



- IP addresses of multiple devices will be set to the same if you select **Same IP**.
- If DHCP server is available in the network, devices will automatically obtain IP addresses from DHCP server when you select **DHCP**.

**Step 4** Click **OK**.

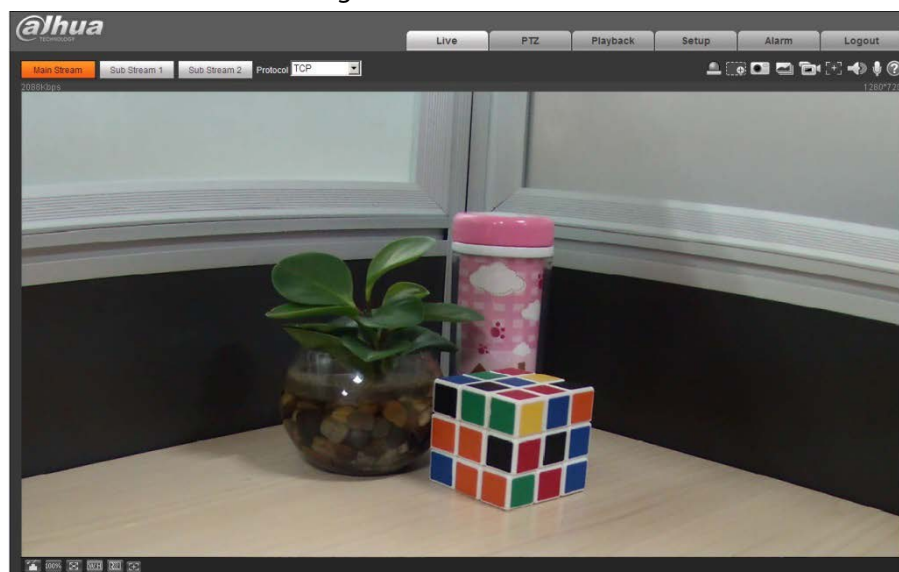
## 2.3 Logging in to Web Interface

**Step 1** Open IE browser, enter the IP address of the device in the address bar and press Enter. If the setup wizard is displayed, follow the instructions to finish the settings.

**Step 2** Enter user name and password in the login box, and then click **Login**.

**Step 3** For first time login, click **Click Here to Download Plugin** and install the plugin as instructed. The main interface is displayed when the installation is finished. See Figure 2-4.

Figure 2-4 Main interface

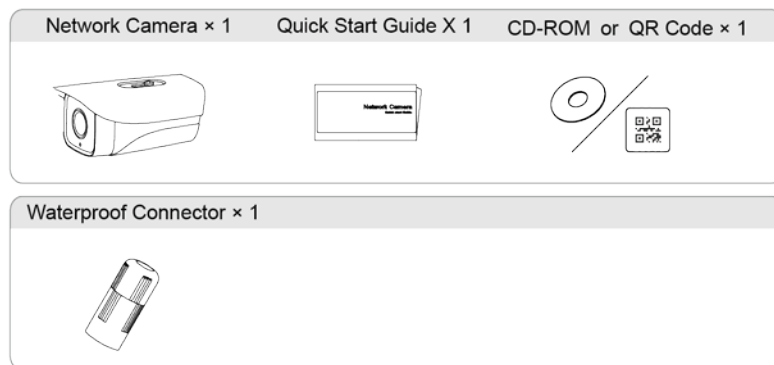


# 3 Installation

## 3.1 Packing List



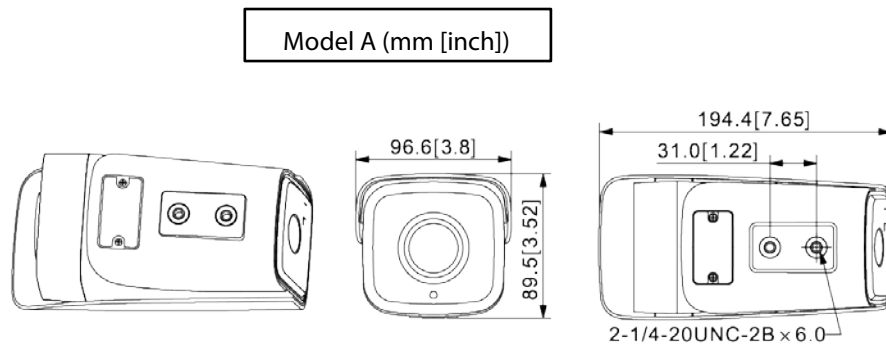
- The tool required for the installation such as electric drill is not provided in the package.
- The operation manual and related tool are contained in the disk or the QR code, and the actual package shall prevail.



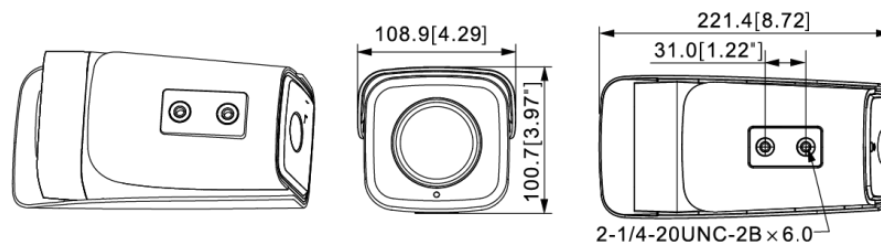
## 3.2 Dimensions



The following figures are for reference only, and the actual product shall prevail.

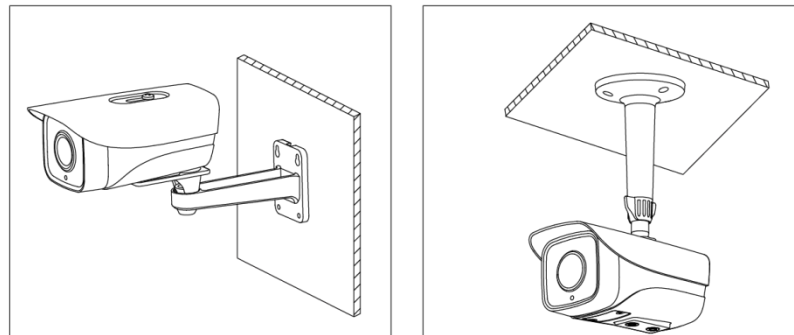


Model B (mm [inch])



## 3.3 Installing Device

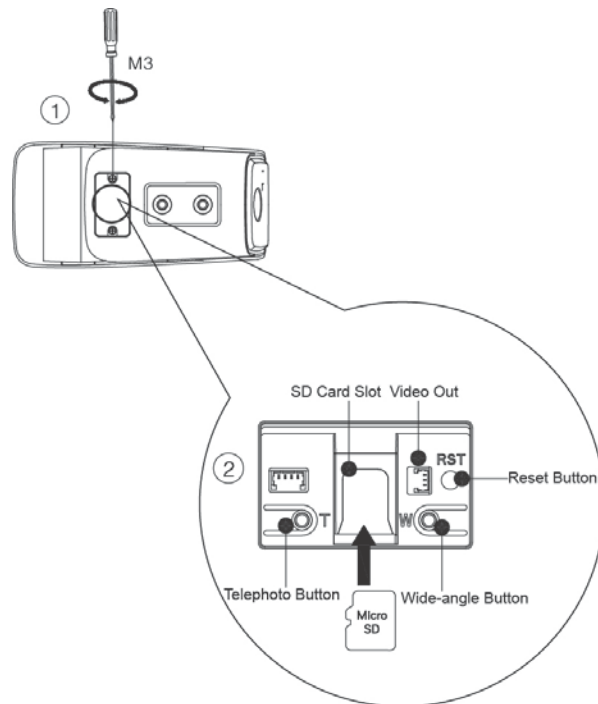
### 3.3.1 Installation Method



### 3.3.2 Installing SD Card (Optional)



- SD card slot is available on select models.
- Disconnect the power before installing or removing the SD card.



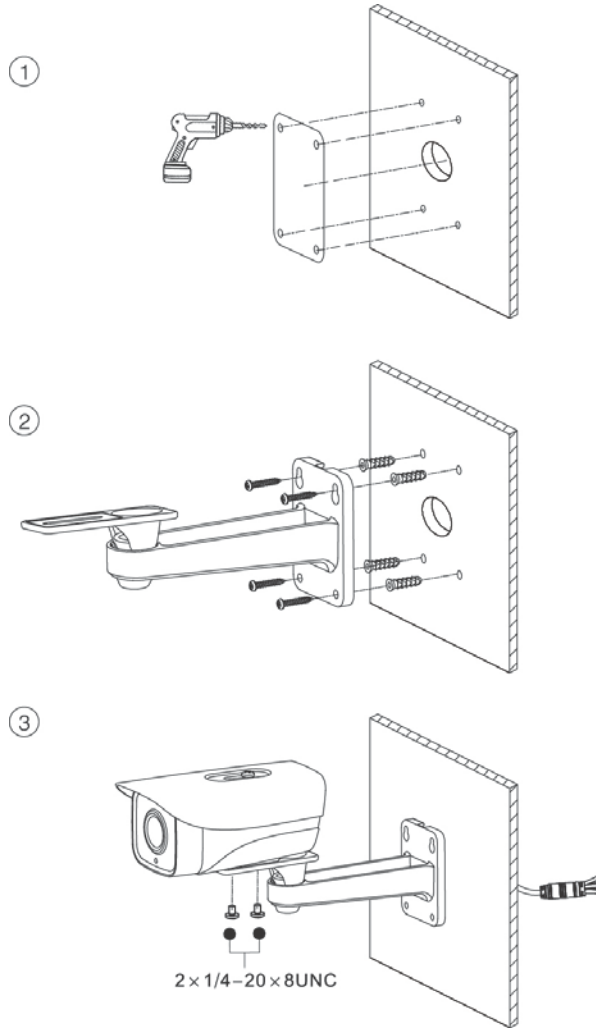
- Press the reset button for 10 s to reset the device.
- For devices with motorized vari-focal lens, zoom and focus can be adjusted automatically; for devices with T/W button, zoom and focus can be adjusted with T/W button.
- You can connect monitor to the video out port with cable to view image.

### 3.3.3 Attaching Device



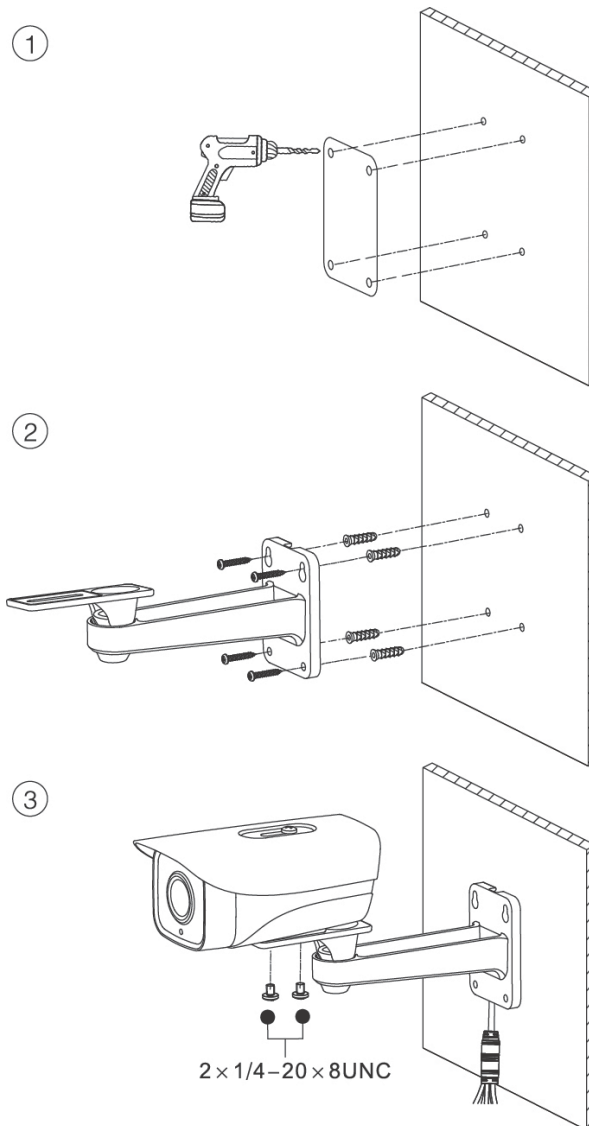
Make sure the mounting surface is strong enough to hold at least three times of the device weight.

**Cable going through the mounting surface**





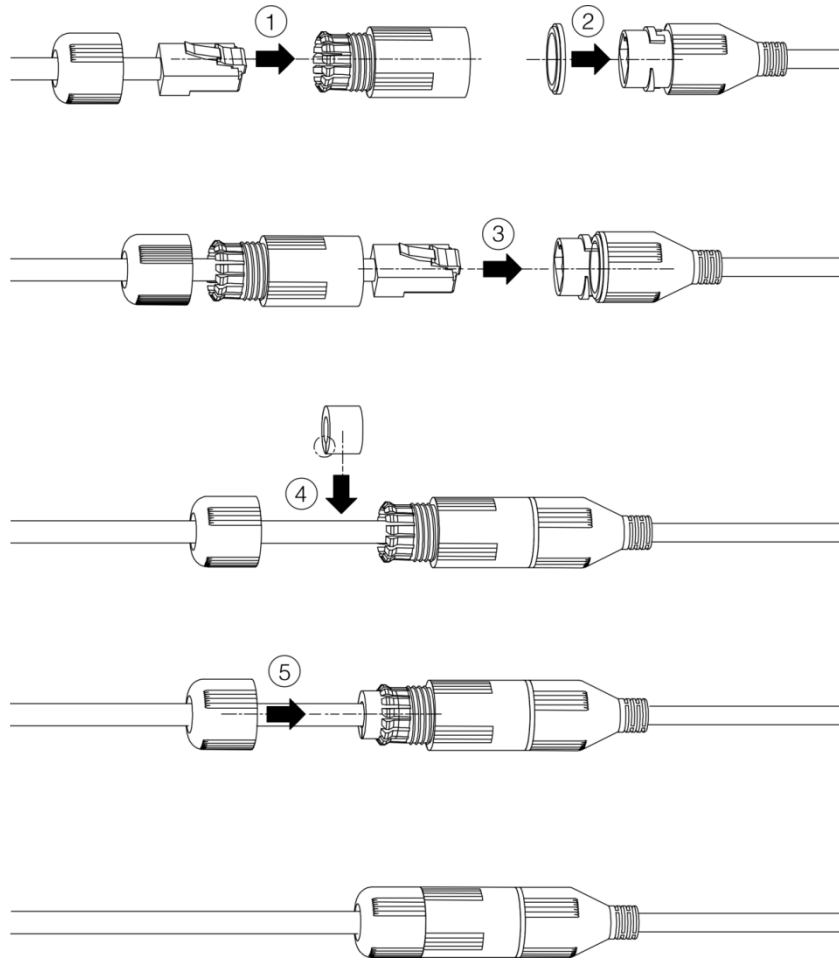
### Cable going through the side cable tray



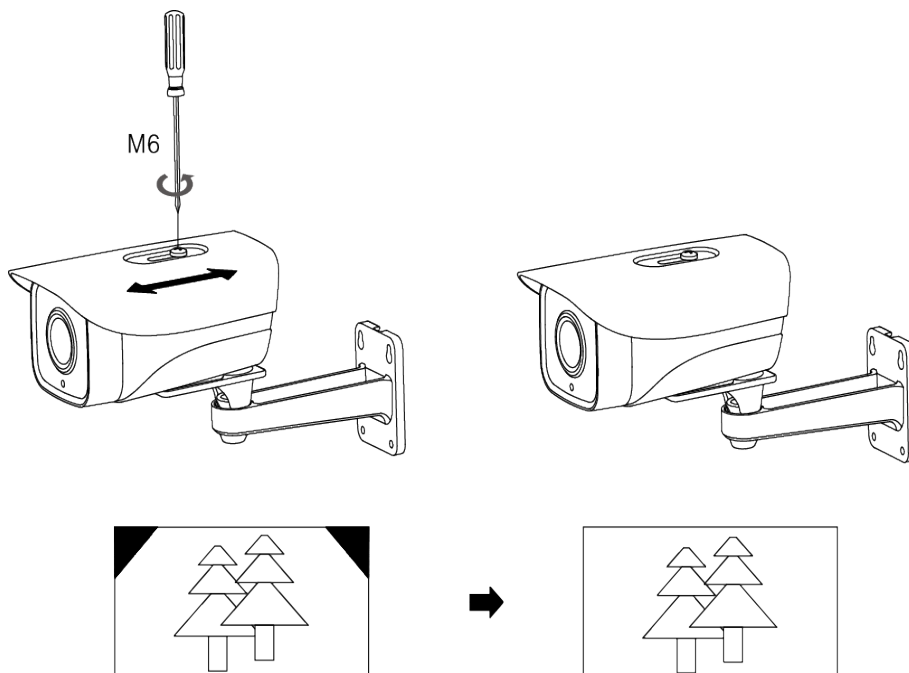
### 3.3.4 Installing Waterproof Connector (Optional)



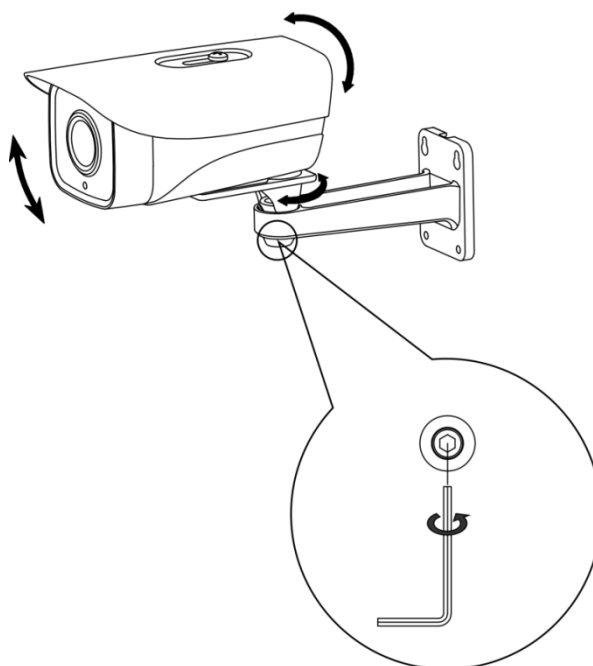
This part is only needed when there is waterproof connector in the package and the device is used outdoors.



### 3.3.5 Adjusting Sunshade Cap



### 3.3.6 Adjusting Lens Angle



ENABLING A SAFER SOCIETY AND SMARTER LIVING

ZHEJIANG DAHUA VISION TECHNOLOGY CO., LTD.

Address: No.1199 Bin'an Road, Binjiang District, Hangzhou, P. R. China | Website: [www.dahuasecurity.com](http://www.dahuasecurity.com) | Postcode: 310053

Email: [overseas@dahuatech.com](mailto:overseas@dahuatech.com) | Fax: +86-571-87688815 | Tel: +86-571-87688883